

The drawings, plans, elevations, details and lists presented herein constitute a design for a structure to be constructed in Southwestern Michigan, utilizing the BOCA National Building Code 1995 published by Building Officials & Code Administrators International, Inc. and the National Electrical Code (NEC) latest Edition.

Persons or Organizations proposing to use these documents must consult with their state and/or local building officials and local codes and ordinances and have the required documents prepared by an architect or engineer licensed in the state where the structure is to be built.

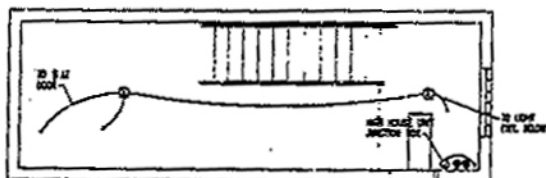
All local soil, seismic, atmospheric and climatic conditions must be considered prior to the start of construction.

FIXTURE SCHEDULE

TYPE	WIRE	No.	VOL	GRADE		Remarks
				No.	TYPE	
A	generic	generic	70-100	1	A-21	Medium Intensity Paralel
B	SEA WALL	6750-12	70-100	1	A-12	Weather Proof Flood Light

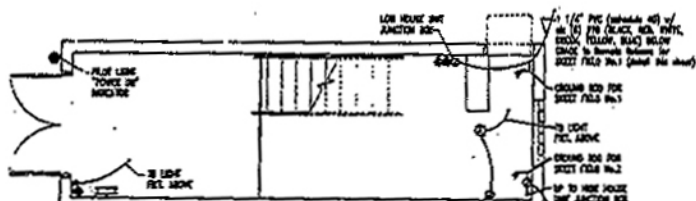
SYMBOL LEGEND

- ⊙ Nonstandard Surface Mount (existing) Light Fixture
- ⊙ Nonstandard Surface Mount (with exterior) Flood Light
- ⊙ 4" dia. (with Junction Box) of Break Corner
- ⊙ Slope Field Indict
- ⊙ Duplex Outlet
- ⊙ Duplex Outlet (Mount "C" AT)



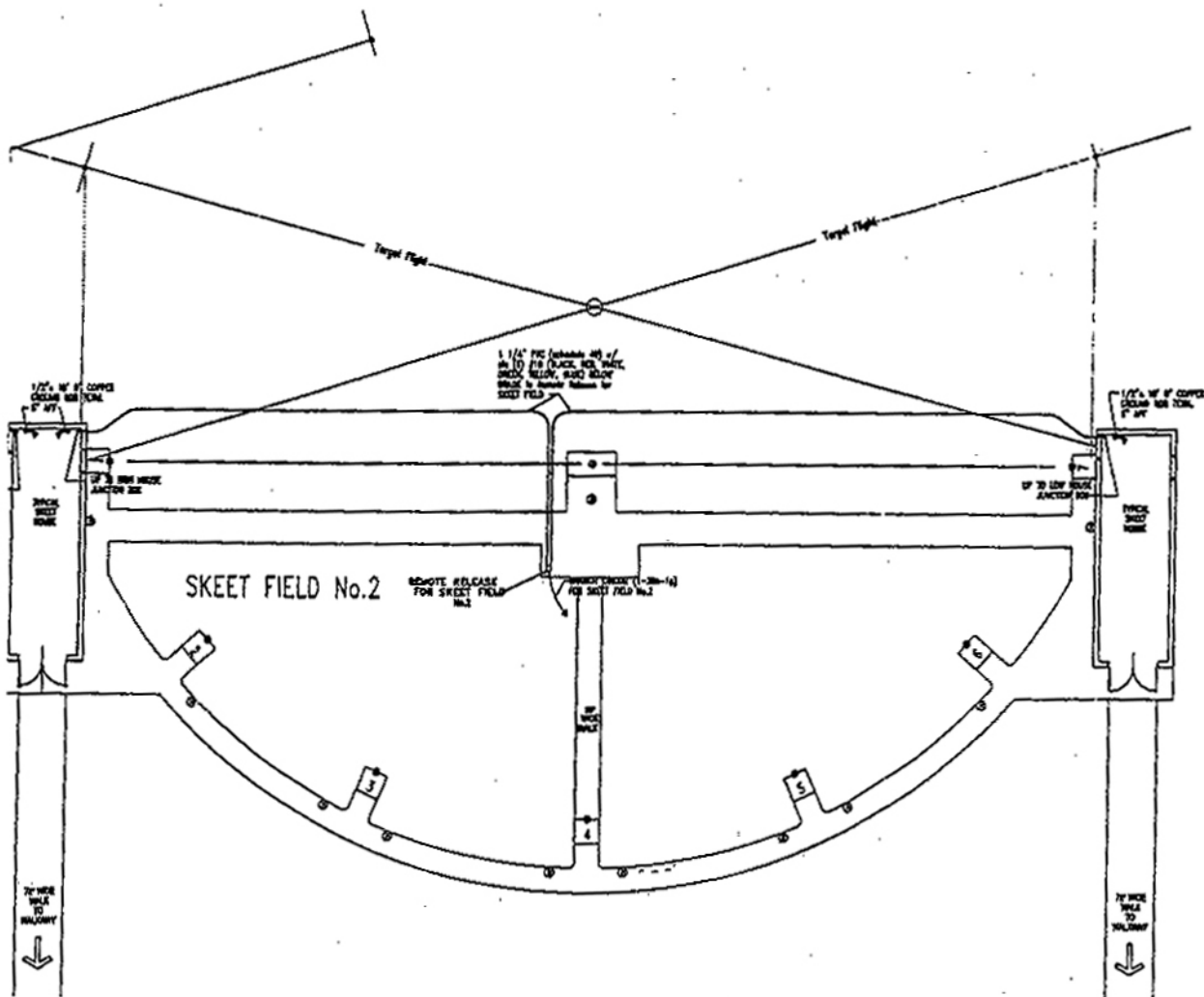
FLOOR PLAN - HIGH HOUSE

Scale 1/4" = 1'-0"



FLOOR PLAN - LOW HOUSE

Scale 1/4" = 1'-0"



TYPICAL LAYOUT for FIELD ELECTRICAL INSTALLATION

Sheet No.

E-1